

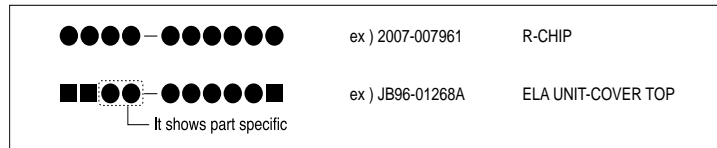
## 5. Exploded Views and Parts List

- Deal drawings and service parts are declared for the items with higher rate of inferiority and replaceable in the level of service description only.
- If inferiority occurs, you can replace the parts by the unit declared in deal drawings and service items.

### Way to observe Part Code & Description

Part code and Description is quoted and controlled by determined standard. Refer to this determined standard, it will help with ordering Part.

- There are two kinds of Part code inscription type.



(● : figure, ■ : character (alphabet))

**Type 1** : Controlled by Company : It can be commonly used for all kinds of product SEC produce. Mostly, electronics Parts.

**Type 2** : Controlled by Division : It is used or one produce. Mostly, Mostly, mechanical Parts.

- **A/S privately used part** : It is only used for A/S .

- **Ass'y part** : Assembled by more than 2 Parts. If necessary part is not A/S Part, Ass'y part including necessary par can be used. It is shown in the diagram and drawing of SVC manual.

• Ass'y part and A/S privately used Part is distinguished by part Code and Description. The are inscription type 2. It is recognized by Part character and front side of description.

DIVISION	PART CODE	DESCRIPTION
A/S Private	**81_***** (JB81-00039A)	AS-***** (AS-USE)
ASS'Y Part	**75_***** (JB75-00068A)	MEC-***** (MEC-CHUTE)
ASS'Y Part	**92_***** (JB92-01131A)	PBA ***** (PBA MAIN-CONTROLLER)
ASS'Y Part	**97_***** (JB97-01089A)	MEA ***** (MEA UNIT-PULLEY IDLE)

## 5-1 Exploded Views and Parts List

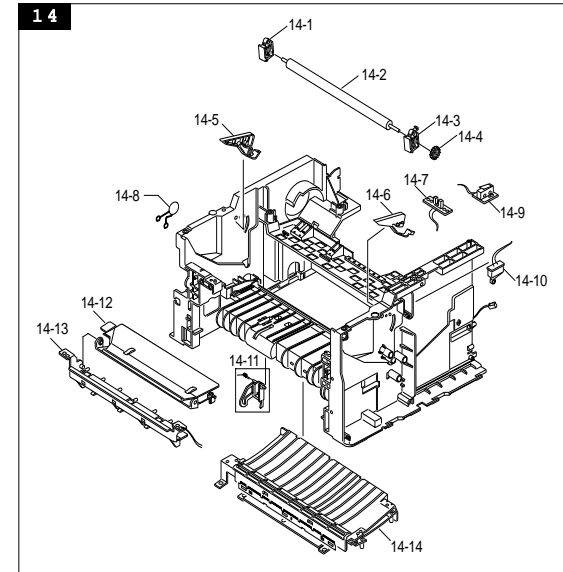
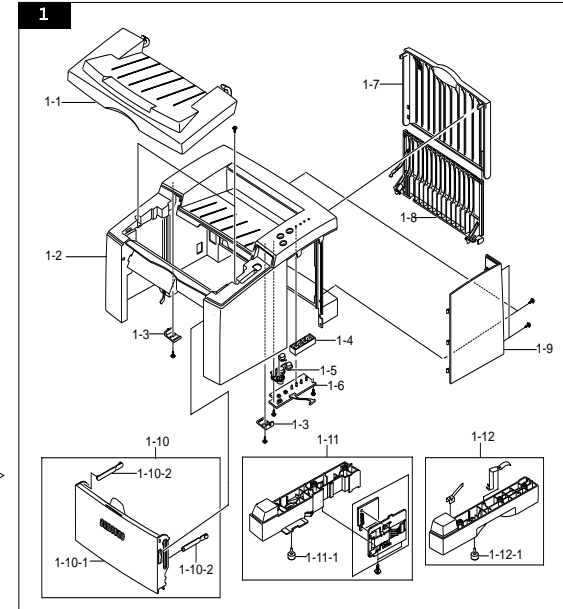
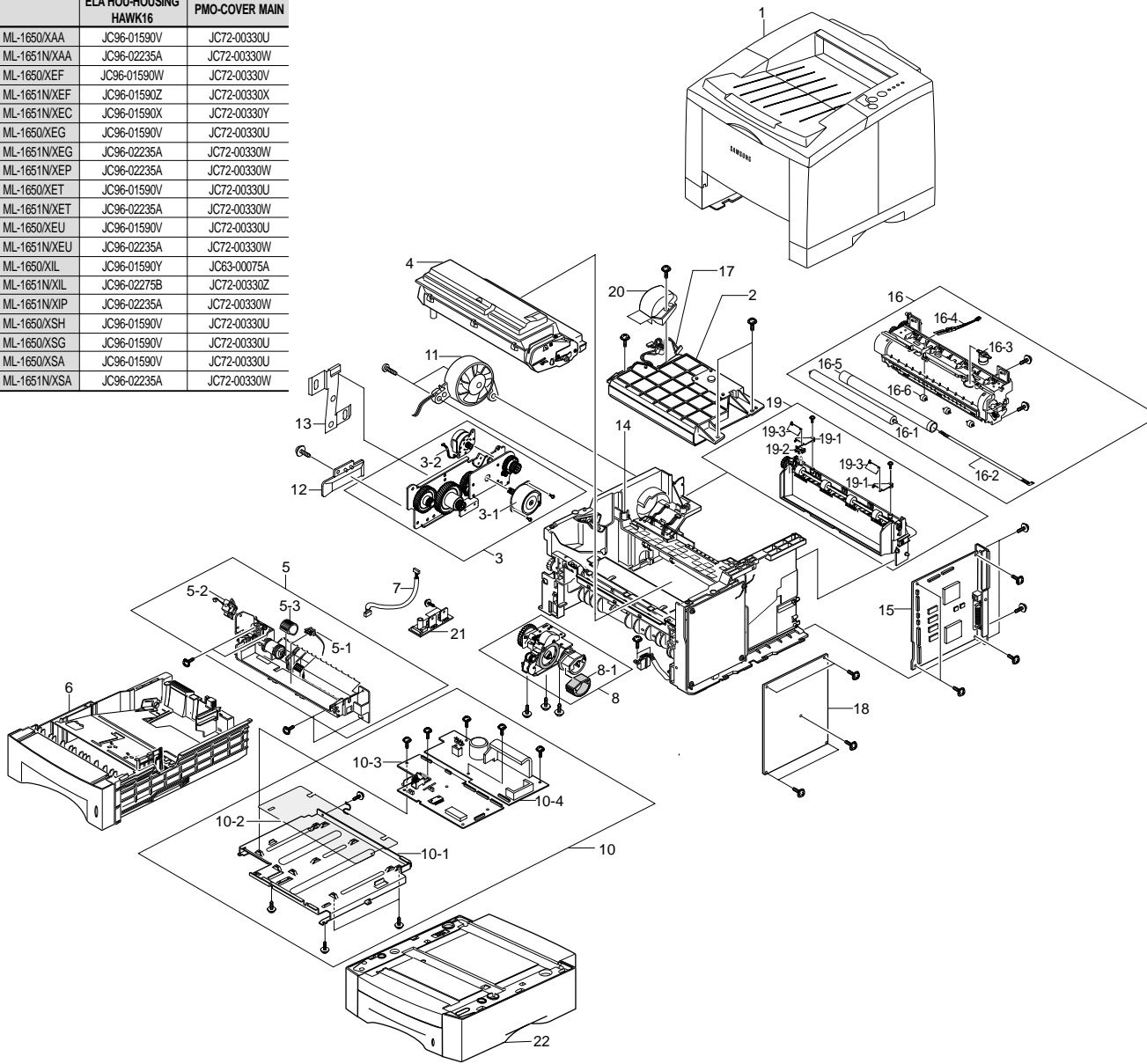
### • Service Parts List

NO.	DESCRIPTION	SEC CODE	QTY	SA	REMARK
1	ELA HOU-HOUSING HAWK16	refer to the table	1	O	
1-1	PMO-COVER OPEN	JC72-00628A	1	O	
1-2	PMO-COVER MAIN	refer to the table	1	O	
1-3	PMO-STOPPER HINGE OPEN	JC72-00482A	2	O	
1-4	PMO-LENS LED	JC72-00365A	1	O	
1-5	PMO-KEY BUTTON	JC72-00499A	1	O	
1-6	PBA SUB-PANEL_SEC	JC92-01208D	1	O	
1-7	PMO-COVER REAR	JC72-00355A	1	O	
1-8	PMO-STACKER REAR	JC72-00356A	1	O	
1-9	PMO COVER CONTROLLER	JC72-00358A	1	O	
1-10	MEA UNIT-MP TRAY	JC97-01325A	1	O	
1-10-1	PMO-COVER-MP	JC72-00349A	1	O	
1-10-2	PMO-TRAY LINK MP	JC72-00350A	2	O	
1-11	MEA UNIT-BRKT BOTTOM(L)	JC97-01315C	1	O	
1-11-1	FOOT-RUBBER	JC61-40001A	1	O	
1-12	MEA UNIT-BRKT BOTTOM(R)	JC97-01316A	1	O	
1-12-1	FOOT-RUBBER	JC61-40001A	1	O	
2	UNIT-LSU(M)	JC59-00013A	1	O	
3	ELA UNIT-MOTOR 16	JC96-02057A	1	O	
3-1	MOTOR-STEP 7.5_DEG	JC31-00002A	1	O	
3-2	MOTOR-STEP	JC31-00009A	1	O	
4	ELA UNIT-DEVE	*	1	X	
5	ELA HOU-MPF	JC96-01650A	1	O	
5-1	PHOTO-INTERRUPTER	0604-001095	1	O	
5-2	SOLENOID-HAWK	JC33-00003A	1	O	
5-3	RPR-RUBBER P/UP, MP	JC73-10907A	1	O	
6	MEA UNIT-FEEDER CST 500	JC97-01466C	1	O	550 SHEETS
7	CBF HARNESS-MOTOR	JC39-00157A	1	O	
8	MEA UNIT-FEEDER	JC97-01324A	1	O	
8-1	RMO-RUBBER PICK_UP	JC73-40907A	1	O	
9	PMO-CAP SENSOR	JC72-00320A	1	O	
10	ELA HOU-ENGINE	JC96-02113A	1	O	▲ 110V
	ELA HOU-ENGINE	JC96-02114A	1	O	▲ 220V
10-1	SHIELD-PCU	JC70-00080A	1	O	
10-2	PCT-INSULATOR PCU	JC72-00334A	1	O	
10-3	PBA MAIN-ENGINE	JC92-01302A	1	O	▲110V/220V

NO.	DESCRIPTION	SEC CODE	QTY	SA	REMARK
10-4	PWB-HAWK 16 SMPS	JC44-00021A	1	O	▲ 110V
	PWB SMPS V2(220V)	JC44-00022A	1	O	▲ 220V
11	FAN-DC	JC31-00012A	1	O	
12	PMO-CAP-WIRE	JC72-00656A	1	O	
13	IPR-CLAMP EMI	JC70-00009A	1	O	
14	ELA UNIT-FRAME BASE HAWK16	JC96-01641J	1	O	▲ 110V
	ELA UNIT-FRAME BASE HAWK16	JC96-01641K	1	O	▲ 220V
14-1	ELA UNIT-HOLDER TR L	JC96-01730A	1	O	
14-2	MEC-ROLLER TRANSFER	JC75-00124A	1	O	
14-3	ELA UNIT-HOLDER TR R	JC96-01729A	1	O	
14-4	GEAR-TR29	JC66-00039A	1	O	
14-5	ELA UNIT-GUIDE DEVE L	JC96-01643A	1	O	
14-6	ELA UNIT-GUIDE DEVE R	JC96-01642A	1	O	
14-7	PBA SUB-EXIT SENSOR	JC92-01234B	1	O	
14-8	ELA HOU-VARISTOR	JC96-01772A	1	O	
14-9	PBA SUB-FUSER SW	JC92-01261A	1	O	
14-10	PBA SUB-SWITCH	JC92-01235A	1	O	
14-11	ELA UNIT-EMPTY_ACT HAWK	JC96-01720A	1	O	
14-12	ELA UNIT-GUIDE FEED XRX 16	JC96-01653D	1	O	
14-13	ELA UNIT-PTL XRX 16	JC96-02126A	1	O	
14-14	ELA UNIT-GUIDE TRANSFER	JC96-01645A	1	O	
15	PBA MAIN-CONTROLLER	JC92-01353A	1	O	
16	ELA UNIT-FUSER	JC81-00394A	1	O	▲ 110V
	ELA UNIT-FUSER	JC81-00393A	1	O	▲ 220V
16-1	MEC-ROLLER PRESSURE	JC75-00114A	1	O	
16-2	LAMP-HALOGEN	4713-001155	1	O	▲ 110V
	LAMP-HALOGEN	4713-001156	1	O	▲ 220V
16-3	THERMOSTAT	4712-000001	1	O	
17	CBF HARNESS-LSU	JC39-00135A	1	O	
18	SMPS-HVPS	JC44-00027A	1	O	
19	MEA RACK-HOU EXIT	JC97-01338J	1	O	Only 1650/XIL
	MEA RACK-HOU EXIT	JC97-01338K	1	O	
19-1	PMO-HOLDER LEVER	JC72-00631A	1	O	
19-2	PHOTO INTERRUPTER	0604-001095	1	O	
19-3	PMO-LEVER STACKING	JC72-41188F	1	O	
20	PMO-DUCT FAN2	JC72-00627A	1	O	
21	PBA MAIN-MOTOR JOINT	JC92-01310A	1	O	
22	MEA RACK-CAST SCF-110V	*	1	X	

○ : Service available X : Service not available

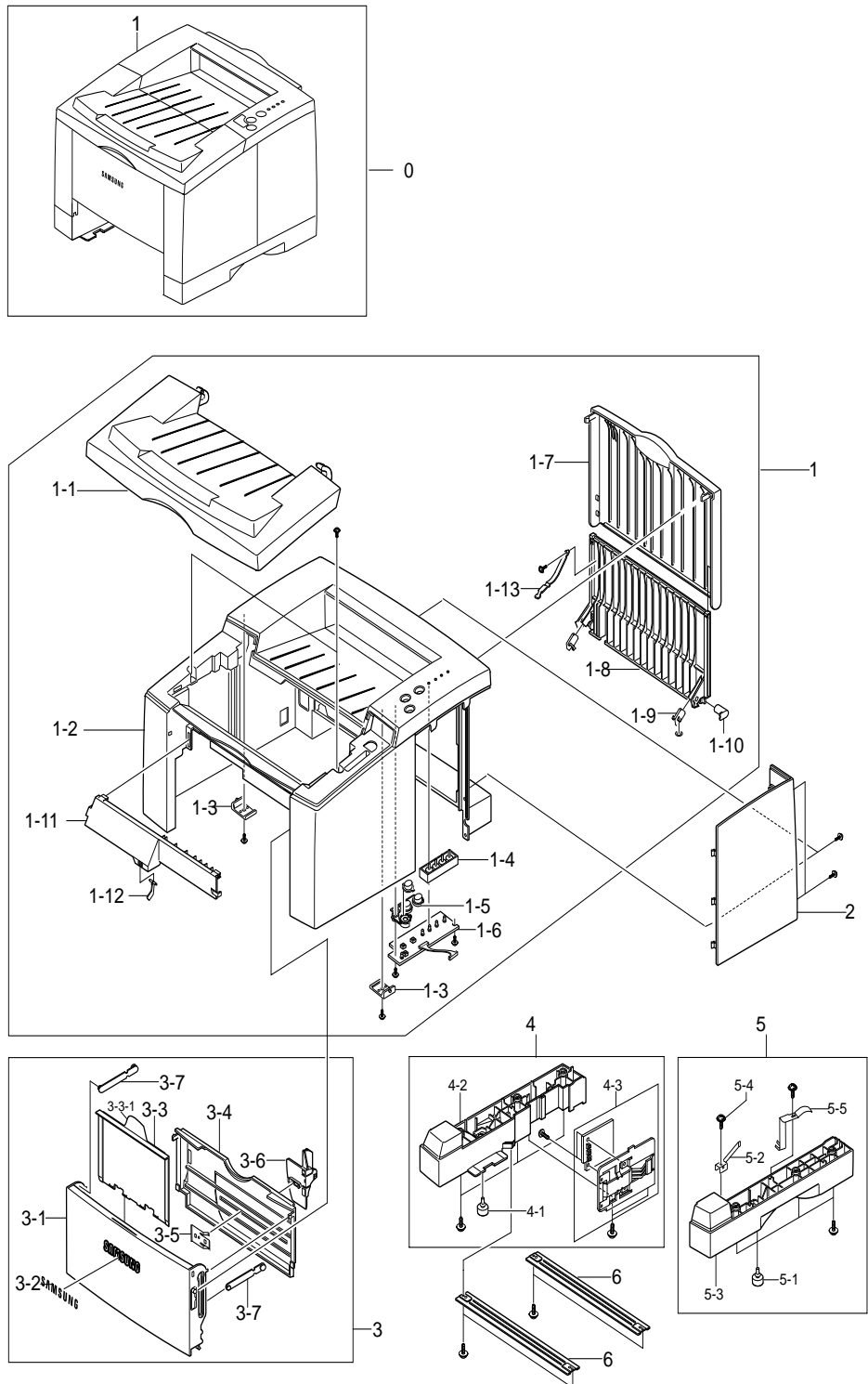
	ELA HOU-HOUSING HAWK16	PMO-COVER MAIN
ML-1650/XAA	JC96-01590V	JC72-00330U
ML-1661N/XAA	JC96-02235A	JC72-00330W
ML-1650/XEF	JC96-01590V	JC72-00330V
ML-1651N/XEF	JC96-01590Z	JC72-00330X
ML-1651N/XEC	JC96-01590X	JC72-00330Y
ML-1650/XEG	JC96-01590V	JC72-00330U
ML-1651N/XEG	JC96-02235A	JC72-00330W
ML-1651N/XEP	JC96-02235A	JC72-00330W
ML-1650/XET	JC96-01590V	JC72-00330U
ML-1651N/XET	JC96-02235A	JC72-00330W
ML-1650/XEU	JC96-01590V	JC72-00330U
ML-1651N/XEU	JC96-02235A	JC72-00330W
ML-1650/XIL	JC96-01590Y	JC63-00075A
ML-1651N/XIL	JC96-02275B	JC72-00330Z
ML-1651N/XIP	JC96-02235A	JC72-00330W
ML-1650/XSH	JC96-01590V	JC72-00330U
ML-1650/XSG	JC96-01590V	JC72-00330U
ML-1650/XSA	JC96-01590V	JC72-00330U
ML-1651N/XSA	JC96-02235A	JC72-00330W



## 5-2 All Exploded Views and Parts List

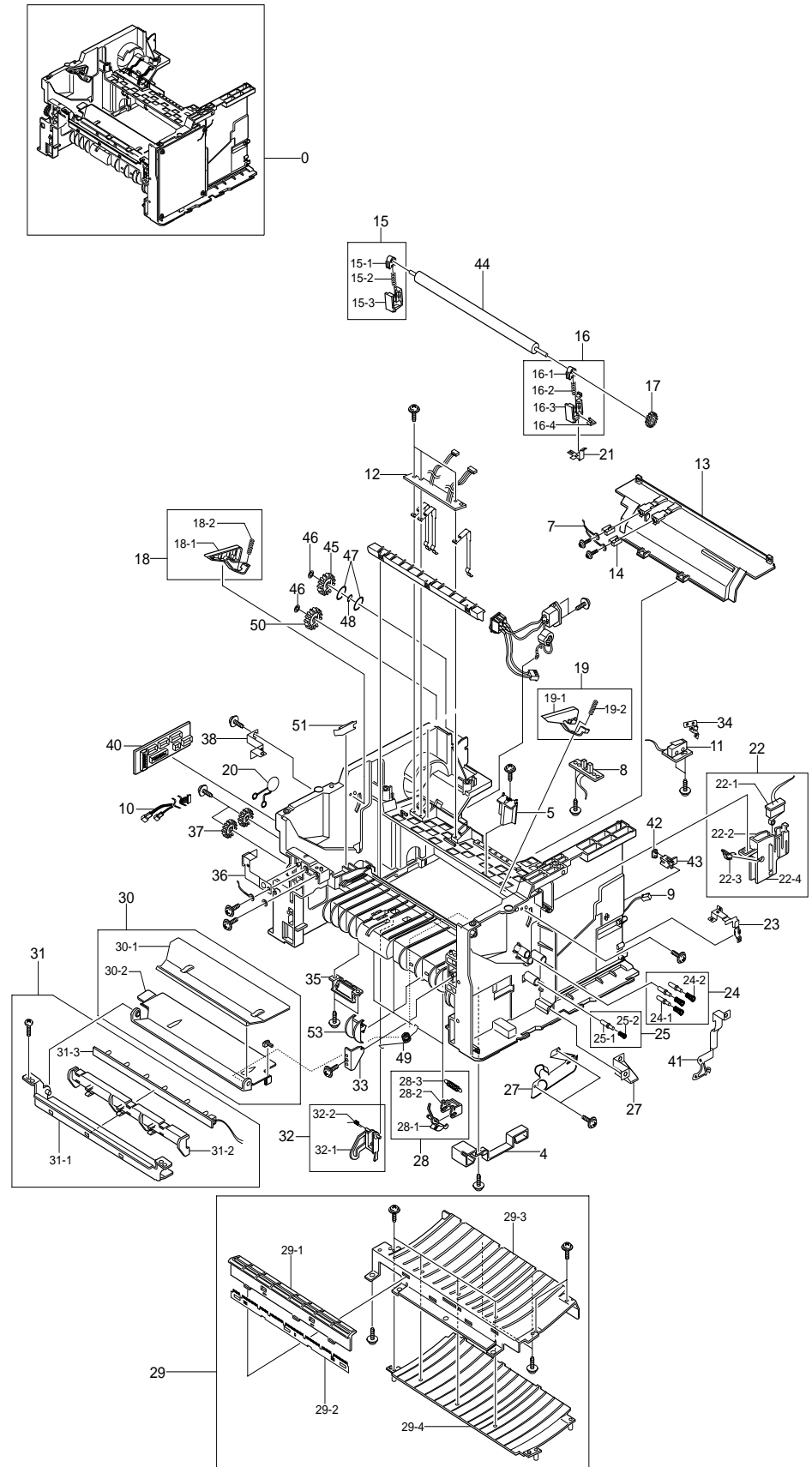
### 5-2-1 Cover Exploded View

NO.	DESCRIPTION	QTY
0	ELA-HOU-COVER MAIN	1
1		
1-1	PMO-COVER OPEN	1
1-2	PMO-COVER MAIN	1
1-3	STOPPER HINGE OPEN	2
1-4	PMO-LENS LED	1
1-5	PMO-KEY BUTTON	1
1-6	PBA PANEL	1
1-7	PMO-COVER REAR	1
1-8	PMO-STACKER REAR	1
1-9	IPR-SPRING LOCKER REAR	2
1-10	PMO-CAP REAR	1
1-11	PMO-SUPPORT MP TRAY	1
1-12	PMO-LEVER_EMPTY, MP	1
1-13	PMO-STOPPER_EXIT,P	1
2	PMO COVER CONTROLLER	1
3	MEA UNIT-MP TRAY	1
3-1	PMO-COVER-MP	1
3-2	MPR-NAME PLATE XRX	1
3-3	PMO-CHUTE	1
3-3-1	PMO-DUMMY CHUTE	1
3-4	PMO-TRAY HOLDER MP	1
3-5	IPR-GUIDE LATCH	1
3-6	PMO-SIDE GUIDE MP	1
3-7	PMO-TRAY LINK MP	2
4	MEA UNIT-BRKT BOTTOM(L) XRX	1
4-1	FOOT-RUBBER	1
4-2	PMO-BRKT BASE L	1
4-3	PAPER SIZE SENSOR ASSY	1
5	MEA UNIT-BRKT BOTTOM(R) XRX	1
5-1	FOOT-RUBBER	1
5-2	IPR-PLATE CST GUIDE	1
5-3	PMO-BRKT BASE R	1
5-4	SCREW-TAPTITE	1
5-5	IPR-GROUND SCF BASE	1
6	IPR-BAR CLOSS BOTTOM	2
S1	SCREW-TAPTITE	7



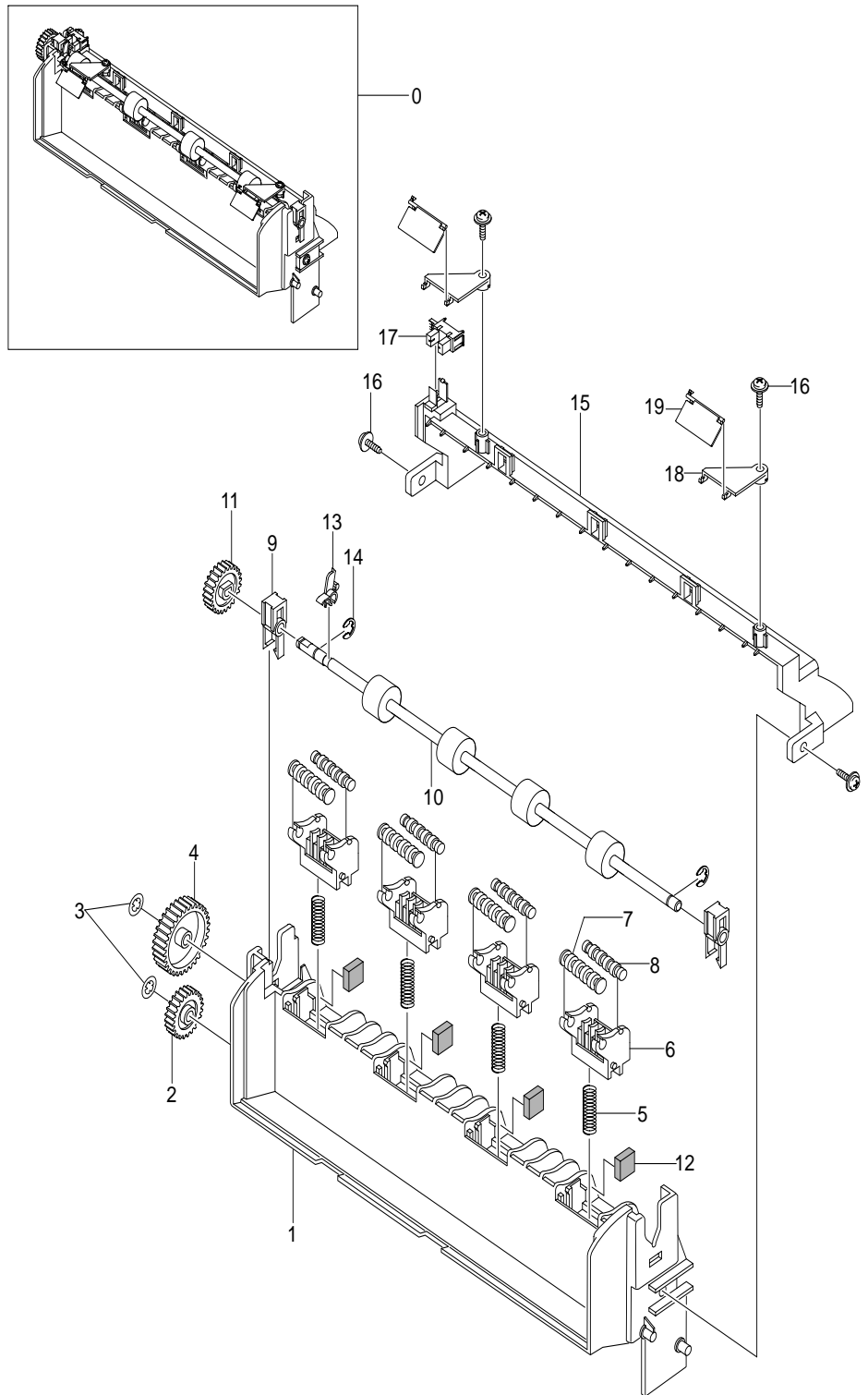
### 5-2-2 Frame Exploded View

NO.	DESCRIPTION	QTY
1	ELA UNIT-FRAME BASE	1
2	PMO-GUIDE RIB	1
3	CBF HARNESS-INLET ASS'Y	1
4	PMO-HOLDER WIRE	1
5	KEY DEVE	1
6	CBF HARNESS-ENGINE_CONTROL	1
7	CBF-HARNESS_FUSER	1
8	PBA-EXIT SENSOR	1
9	CBF-HARNESS-THERMISTOR JOINT	1
10	CBF-HARNESS-MP_CLUTCH ENG	1
11	PBA SUB-FUSER SW	1
12	PBA SUB-TONER SENSOR	1
13	PMO-FRAME COVER	1
14	IPR-TERMINAL FU	2
15	ELA UNIT-HOLDER TR L	1
15-1	PMO-BUSHING TR	1
15-2	SPRING TR L	1
15-3	PMO-TRANSFER HOLDER	1
16	ELA UNIT-HOLDER TR R	1
16-1	PMO-BUSHING TR	1
16-2	SPRING TR R	1
16-3	PMO-TRANSFER HOLDER	1
16-4	IPR-PLATE TR	1
17	GEAR-TR29	1
18	ELA UNIT-GUIDE DEVE L	1
18-1	PMO-GUIDE DEVE L	1
18-2	SPRING GUIDE DEVE	1
19	ELA UNIT-GUIDE DEVE R	1
19-1	PMO-GUIDE DEVE R	1
19-2	SPRING GUIDE DEVE	1
20	ELA HOU-VARISTOR	1
21	IPR-TERMINAL TR, HAWK	1
22	ELA UNIT-SENSOR DEVE	1
22-1	PBA-MICROSWITCH	1
22-2	PMO-HOLDER ACTUATOR	1
22-3	PMO-ACTUATOR DEVE	1
23	GROUND FU	1
24	ELA UNIT-TERMINAL TR L	1
24-1	ICT-SHAFT HV LARGE	1
24-2	SPRING-HV LARGE	1
25	ELA UNIT-TERMINAL TR S	3
25-1	ICT-SHAFT HV LARGE	3
25-2	SPRING-HV SMALL	3
26	GROUND-HVPS	1
27	IPR-REMOVE KEY	1
28	ELA UNIT-ACTUATOR FEED	1
28-1	PMO-ACTUATOR FEED	1
28-2	PMO-HOLDER ACTUATOR	1
28-3	SPRING-FEED HAWK 14	1
29	ELA UNIT-GUIDE TRANSFER	1
29-1	PMO-HADER SAW PLATE	1
29-2	IPR-PLATE SAW	1
29-3	IPR-GUIDE TRANSFER	1
29-4	PMO-GUIDE RIB TR	1
30	ELA UNIT-GUIDE FEED	1
30-1	PMO-GUIDE OPTIC	1
30-2	GUIDE FEED	1
30-3	PMO-HOLDER G/PAPER	1
31	ELA UNIT-PTL	1
31-1	GUIDE PLATE FEED	1
31-2	PMO-HOLDER PTL	1
31-3	PBA SUB-PTL	1
32	ELA UNIT-EMPTY ACT	1
32-1	PMO-ACTUATOR EMPTY HAWK	1
32-2	SPRING EMPTY	1
33	HINGE GUIDE FEED	1
34	GND ICU	1
35	PMO-CAP SENSOR	1
36	GND MP	1
37	GEAR-PIJP DRIVE	2
38	GROUND MOTOR	1
39	IPR-GUIDE DUST	1
40	PBA MAIN-CON JOINT	1
41	IPR-OPC-HAWK	1
42	CAP CONNECTOR L	1
43	CAP CONNECTOR U	1
44	MEG-ROLLER TRANSFER	1
45	GEAR IDLE Z27	1
46	RING-CS	2
47	WASHER-PLAIN	2
48	IPR-WASHER SPRING SU	1
49	SPRING HINGE FEED	1
50	GEAR-EXIT M ID	1
51	IPR-GUIDE, DUST	1
52	PMO-BASE, FRAME	1
53	PMO-GUIDE-SKEW(12)	1



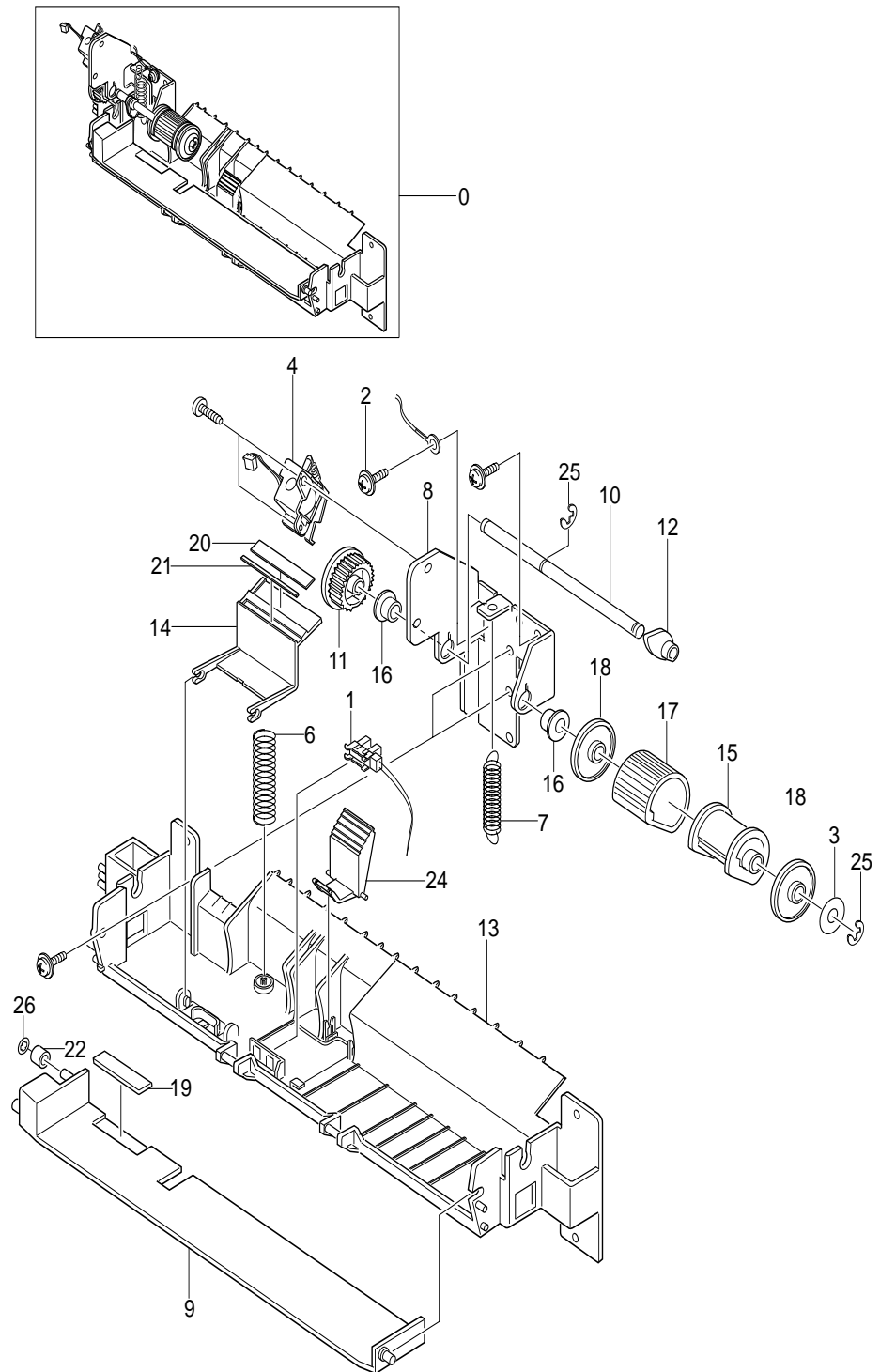
### 5-2-3 Exit Exploded View

NO.	DESCRIPTION	QTY
0	MEA RACK-HOU EXIT	1
1	PMO-FRAME REAR	1
2	GEAR-EXIT/U, ID	1
3	RING-CS	2
4	GEAR-IDLE 25	1
5	SPRING-F/DOWN	4
6	PMO-HOLDER EXIT_F/DOWN	4
7	PMO-ROLLER-EXIT, MAIN	4
8	PMO-ROLLER-EXIT, FR	4
9	MEC-BEARING, EXIT RING-C	2
10	MEA UNIT-ROLL EXIT	1
11	GEAR-EXIT	1
12	RMP-RUBBER EXIT_F/UP	4
13	ACTUATOR OUT-FULL	1
14	MEC-BEARING, EXIT RING-C	2
15	GUIDE EXIT	1
16	SCREW TAPTITE	4
17	PHOTO SENSOR OUT BIN	1
18	PMO-HOLDER LEVER	2
19	PMO-LEVER STACKING	2

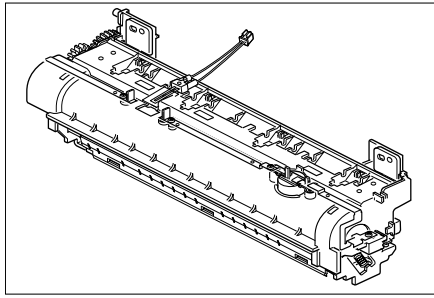


### 5-2-4 Rack-MPF Exploded View

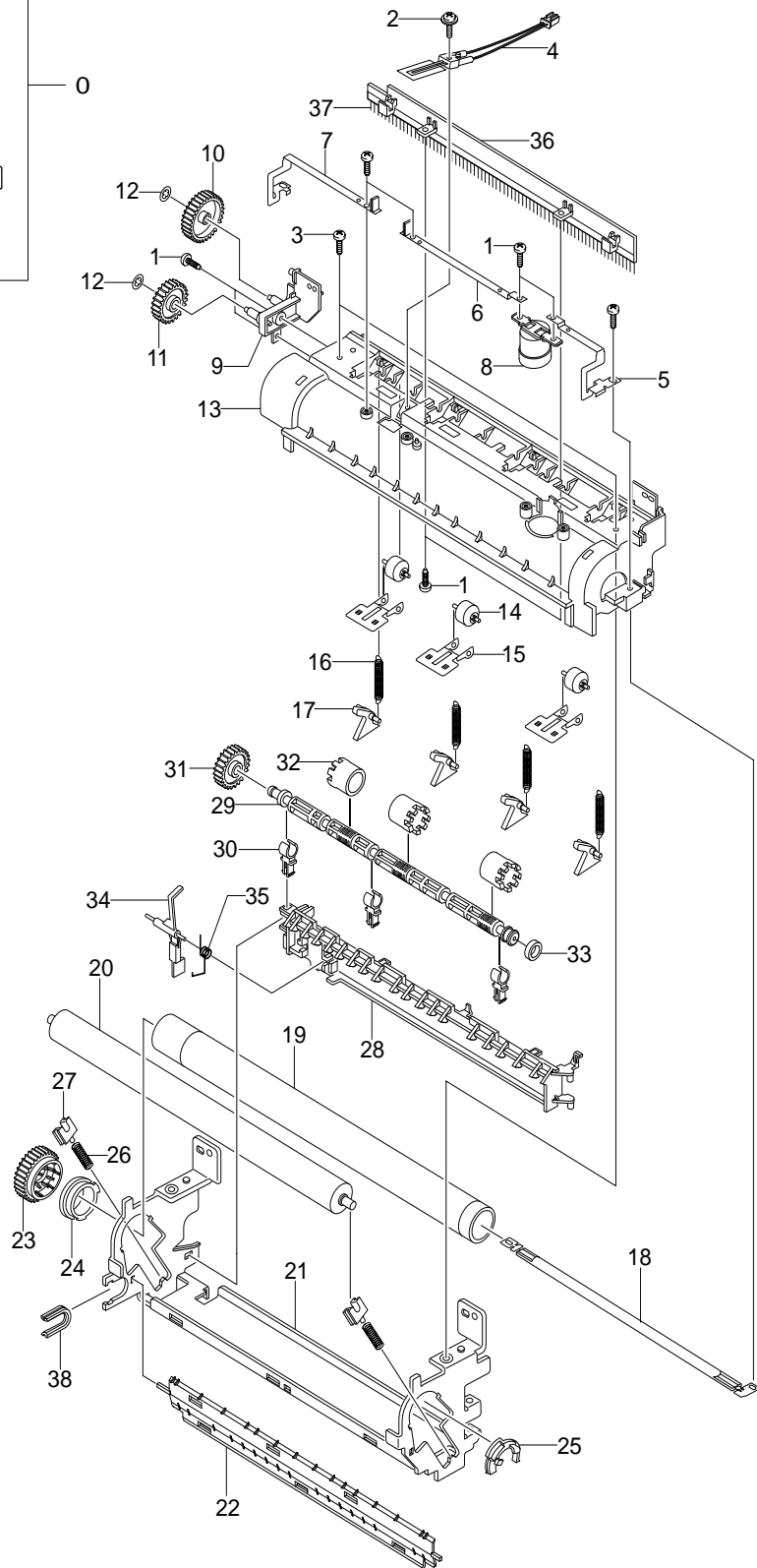
NO.	DESCRIPTION	QTY
0	ELA-HOU-MPF	1
1	PHOTO-INTERRUPTER	1
2	SCREW-TAPTITE	2
3	WASHER-PLAIN	1
4	SOLENOID-HAWK	1
5	CBF-HARNESS-MP_EMPTY	1
6	SPRING-KNOCK UP	1
7	SPRING-PICK UP, MP	1
8	BRACKET_MP	1
9	PMO-PLT KNOCK_UP, MP	1
10	ICT-SHAFT_P/U, MP	1
11	PMO-GEAR_P/U MP	1
12	PMO-CAM PICK UP MP	1
13	PMO-FRAME_MP	1
14	PMO-HOLDER_P/U,MP	1
15	PMO-HOUSING_P/U, MP	1
16	PMO-BEARING-PICK UP	2
17	RPR-RUBBER P/U,P MP	1
18	PMO-IDLE PICK UP, MP	2
19	RPR-PAD KNOCKUP, MP	1
20	RCR-FRICTION PAD 1 MP	1
21	RCR-FRICTION PAD 2 MP	1
22	PMO-RING KNOCK UP MP	1
23	SCREW TAPTITE	2
24	PMO-ADJUST END MP	1
25	RING-E	1
26	RING-CS	1



### 5-2-5 Fuser Exploded View



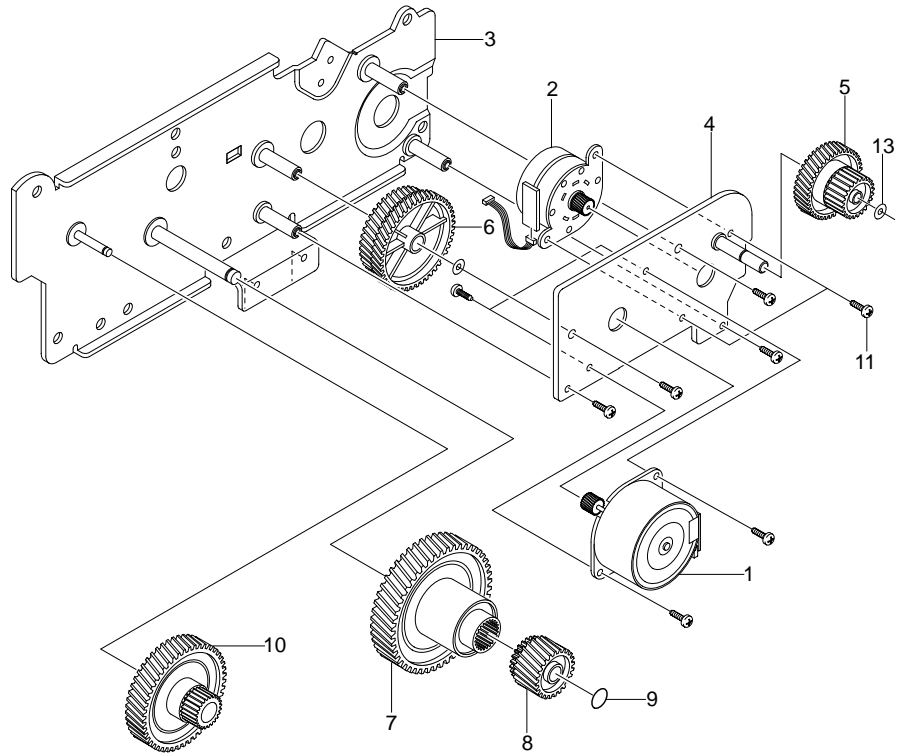
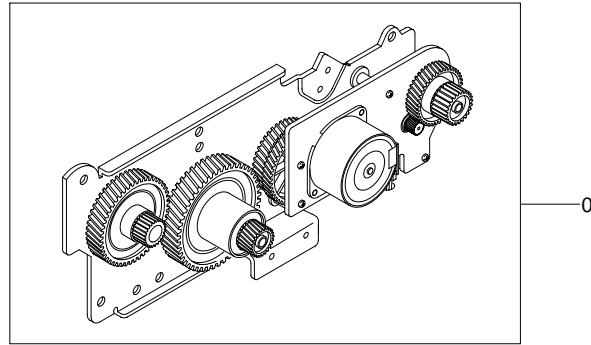
NO.	DESCRIPTION	QTY
0	ELA UNIT FUSER (110V)	1
	ELA UNIT FUSER (220V)	1
1	SCREW TAPTITE M3 x 8, BH+	1
2	SCREW TAPTITE M3 x 10, FH+	1
3	SCREW MACHINE M3 x 6	2
4	THERMISTOR-NTC	1
5	ELECTRODE FU R	1
6	ELECTRODE FU M	1
7	ELECTRODE FU L	1
8	THERMOSTAT	1
9	BRKT GEAR FUSER	1
10	GEAR-IDLE 25	1
11	GEAR-IDLE 15	1
12	RING-CS	2
13	COVER FUSER	1
14	ROLLER EXIT_F/UP	3
15	EXIT_F/UP (SPRING)	3
16	SPRING-CLAW	4
17	GUIDE-CLAW	4
18	LAMP-HALOGEN(110V)	1
	LAMP-HALOGEN(220V)	1
19	ROLLER-HEAT	1
20	ROLLER PRESSURE	1
21	FRAME FUSER	1
22	GUIDE INPUT	1
23	GEAR FUSER, 32	1
24	BUSHING HR-L	1
25	BUSHING HR-R	1
26	SPRING-BEARING PR	2
27	BUSHING PR	2
28	PMO GUIDE REAR	1
29	SHAFT EXIT_F/UP	1
30	BUSHING_TX	3
31	GEAR-EXIT	1
32	RUBBER EXIT	3
33	RUBBER EXIT F/UP	1
34	ACTUATOR EXIT	1
35	SPRING-ACTUATOR	1
36	HOLDER BRUSH	1
37	BRUSH ANTISTATIC	1
38	HOLDER SHAFT	1





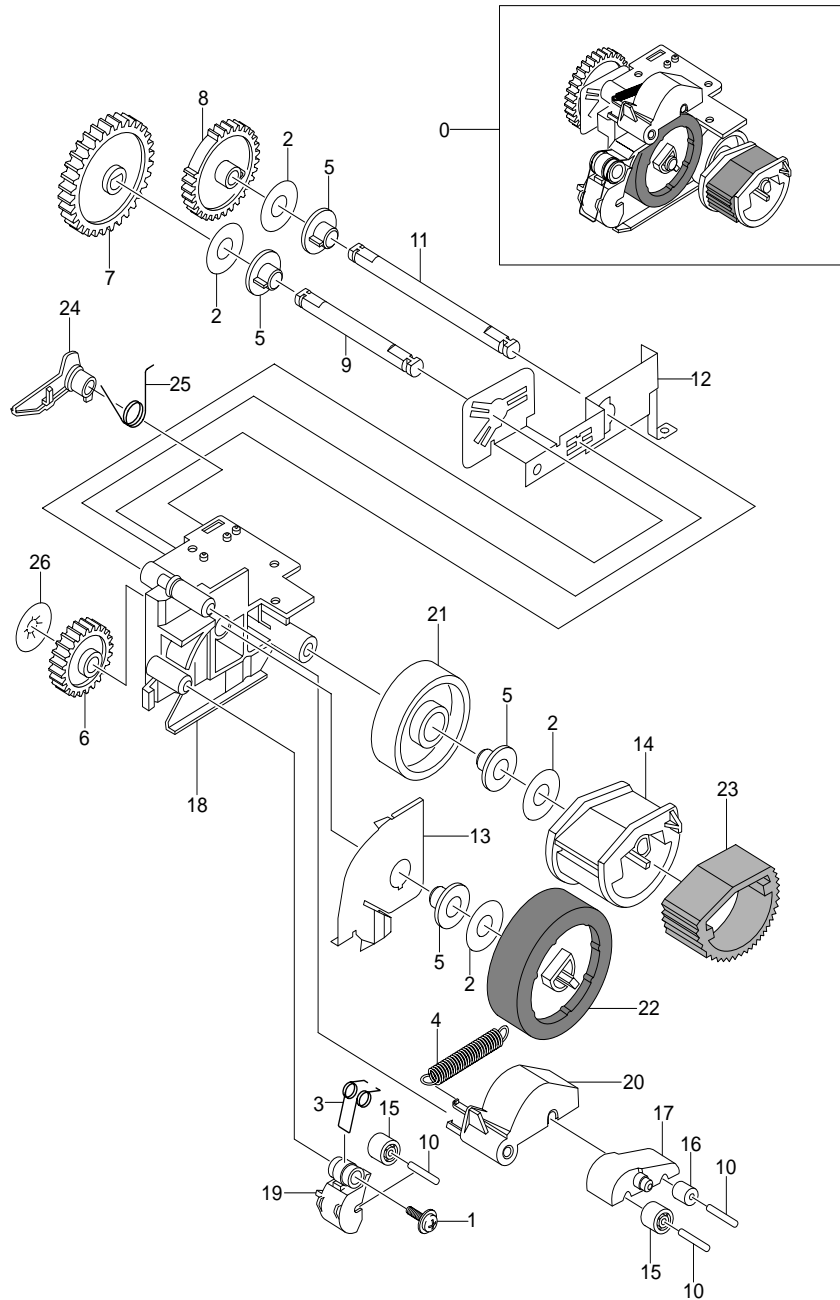
### 5-2-6 Drive Exploded View

NO.	DESCRIPTION	QTY
0	ELA UNIT-MOTOR	1
1	MOTOR-STEP 7.5_DEG	1
2	MOTOR-STEP 7.5_DEG	1
3	IPR-BRKT GEAR	1
4	IPR-BRKT MOTOR	1
5	GEAR-FUSER DRV	1
6	GEAR-RDCN 123-87	1
7	GEAR-OPC DRV 135	1
8	GEAR-OPC DRIVE2	1
9	WASHER-PLAIN	1
10	GEAR-FEED DRV	1
11	SCREW-MACHINE	8
12	MPR-POLYWASHER8	1
13	WASER-PLAIN	1



### 5-2-7 Pick-Up Exploded View

NO.	DESCRIPTION	QTY
0	MEA UNIT-FEEDER	1
1	SCREW-TAPTITE	1
2	WASHER-PLAIN	4
3	SPRING-FEED(1)	1
4	SPRING-FEED(2)	1
5	BEARING-PICK UP	4
6	GEAR-PIUP DRIVE	1
7	GEAR-FEED	1
8	GEAR-PICK UP(12)	1
9	IPR-SHAFT FEED	1
10	IPR-SHAFT FEED IDLER	3
11	IPR-SHAFT PICK UP	1
12	GROUND_FEED	1
13	IPR-GUIDE_FEED, 16	1
14	PMO-HOUSING P/UP	1
15	PMO-ROLLER FEED L	2
16	PMO-ROLLER FEED S	1
17	PMO-SUB HOLDER FEED	1
18	PMO-FRAME_FEED	1
19	PMO-HOLDER FEED(1)	1
20	PMO-HOLDER FEED(2)	1
21	PMO-IDLE PICK_UP	1
22	PMO-ROLL_FEED, DRV 12	1
23	RMO-RUBBER PICK_UP	1
24	RMO-LEVER PICK_UP	1
25	SPRING PICK UP(12)	1
26	RING-CS	1



### 5-2-8 Cassette Exploded View

NO.	DESCRIPTION	QTY
0	MEA UNIT FEEDER CST (500)	1
1	PMO-COVER GUIDE EXT	1
2	PMO-FRAME CASSETTE	1
3	PMO-GUIDE EXT CST	1
4	PMO-GUIDE PAPER	1
5	PMO-GUIDE SIDE CST	1
6	PMO-INDICATOR EMPTY	1
7	PMO-SIDE GUIDE EXT	1
8	PMO-SUB GUIDE CAST	1
9	PMO-HOLDER_INDICATOR	1
10	PMO-LOCKER PLATE	1
11	IPR-FINGER	1
12	IPR-GUIDE EXT LOCK	1
13	IPR-GUIDE PAPER SCF	1
14	IPR-GUIDE PLT PAPER	2
15	IPR-PLATE KNOCK UP	1
16	IPR-PLATE SPR LOCK	1
17	IPR-SPR PLT G/SIDE	1
18	SPRING PLATE K/UP 1	1
19	SPRING PLATE K/UP 2	1
20	SPRING LOCKER,PLATE	1
21	RPR-PAD CST	1
22	PMO GUIDE PAPER SIZE	1
23	SCREW TAPTITE M3 x 10 NI	7
24	LABEL(R)-CASSETTE	1
25	GUIDE PAPER DUMMY	1

